




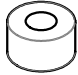
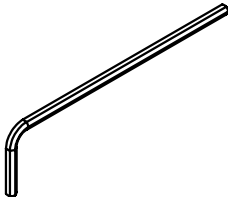
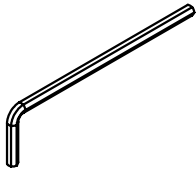
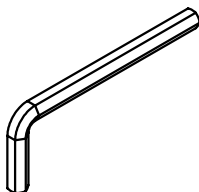
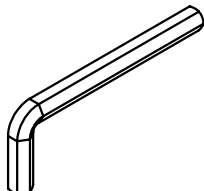
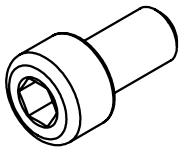


產品型號 Model	單件編號 Part No.	規格 Description	零件數量 Qty.
PC903-S	1	手臂套組 Arm Set	1
	2	底座 Base	1
	3	底座夾具 Base Clamp	1

零件包編號 Part No.	零件包數量 Part Qty.	單件編號 Sub-part No.	單件數量 Sub-part Qty.	規格 Description	圖示 Image
A	1	A-A	4	M4 x 15mm 螺絲 M4 x 15mm Phillips Screw	
		A-B	4	M4 x 30mm 螺絲 M4 x 30mm Phillips Screw	
		A-C	4	M5 x 15mm 螺絲 M5 x 15mm Phillips Screw	
		A-D	4	M5 x 30mm 螺絲 M5 x 30mm Phillips Screw	
		A-E	4	5mm 塑膠墊片 5mm Spacer	
		A-F	4	10mm 塑膠墊片 10mm Spacer	
B	1	B-A	1	2.5mm 六角扳手 2.5mm Hex key	
		B-B	1	4mm 六角扳手 4mm Hex key	
		B-C	1	5mm 六角扳手 5mm Hex key	
		B-D	1	6mm 六角扳手 6mm Hex key	
C	1	C-A	2	M8 x 15mm 內六角螺絲 M8 x 15mm Hex screw	

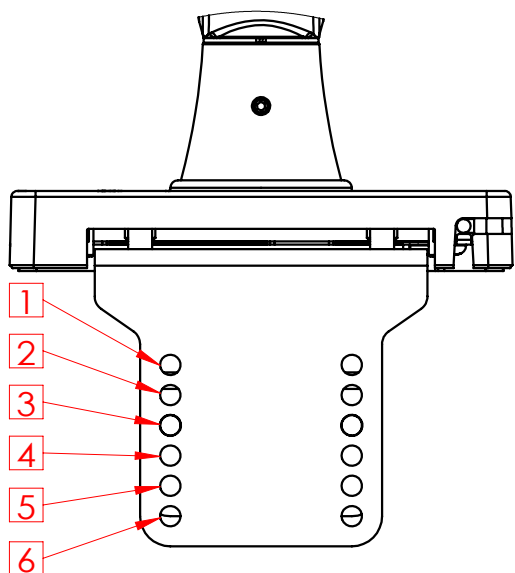
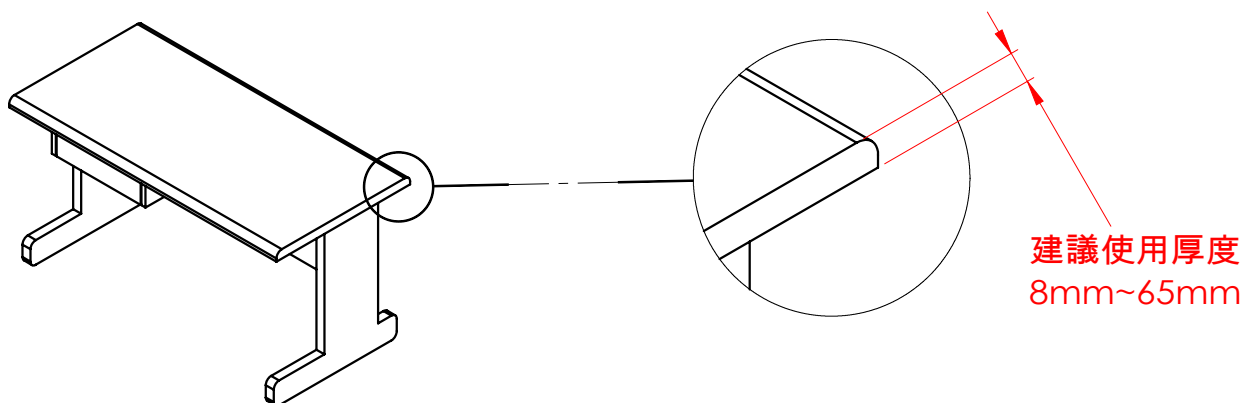
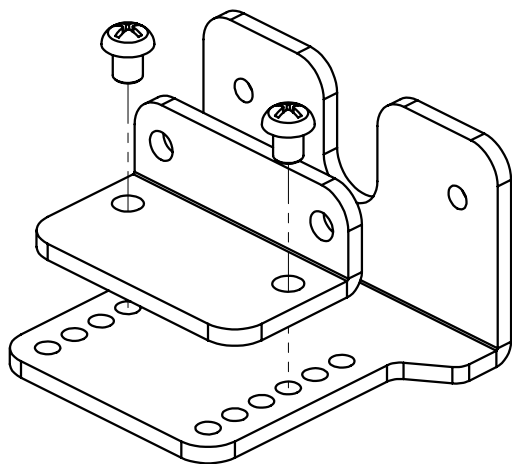
※需自備十字螺絲起子

※ADDITIONAL TOOLS REQUIRED

- Phillips screwdriver

步驟一：量測要安裝螢幕支架的桌板厚度，並依照圖示，使用十字螺絲起子將底座夾具調整到對應位置。

Step 1: Measure the thickness of the desktop where the monitor arm will be installed. Then, using a Phillips screwdriver, adjust the base clamp to the appropriate position as shown in the diagram.

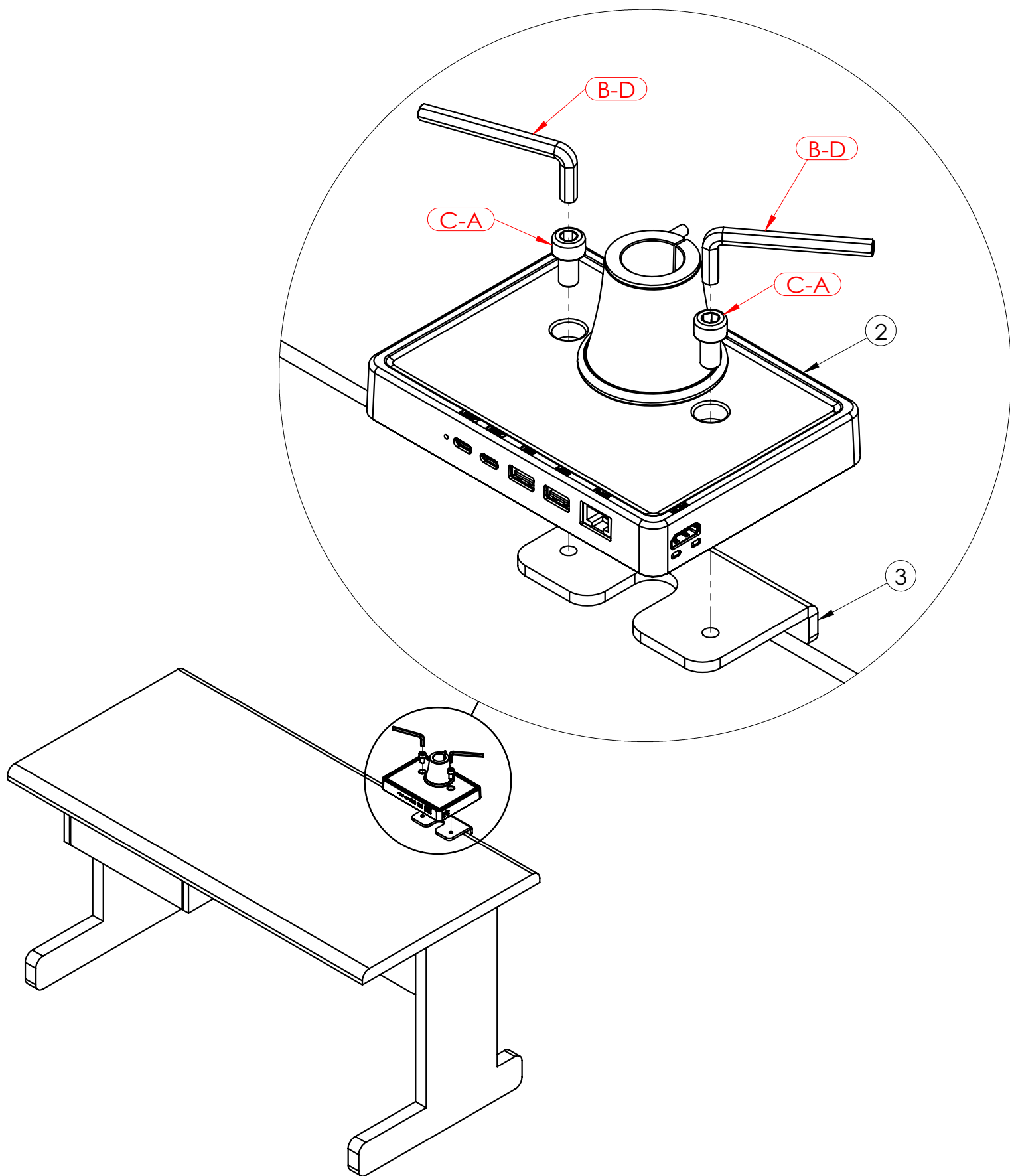


建議安裝位置與桌板厚度對照
Desk Thickness Compatibility Guide

- 1 8~15mm
- 2 15~25mm
- 3 25~35mm
- 4 35~45mm
- 5 45~55mm
- 6 55~65mm

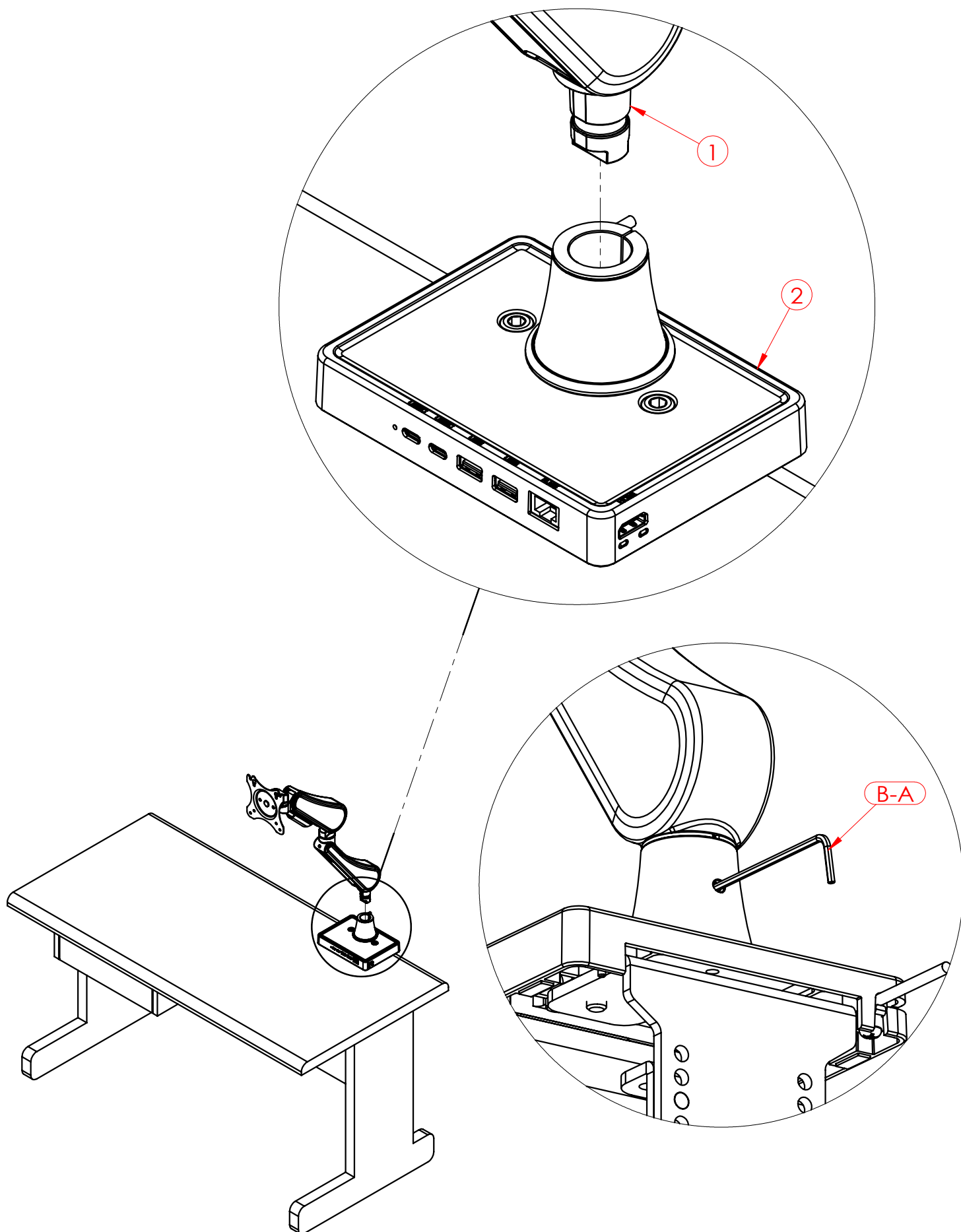
步驟二：將③ 基座夾具放置到安裝位置後，蓋上②，
之後使用①六角扳手鎖緊④ M8 x 15mm 內六角螺絲。

Step 2: Place the ③ <Base Clamp> at the desired installation position and place ② on top,
use ① hex wrench to tighten the ④ M8 x 15mm Hex screw.



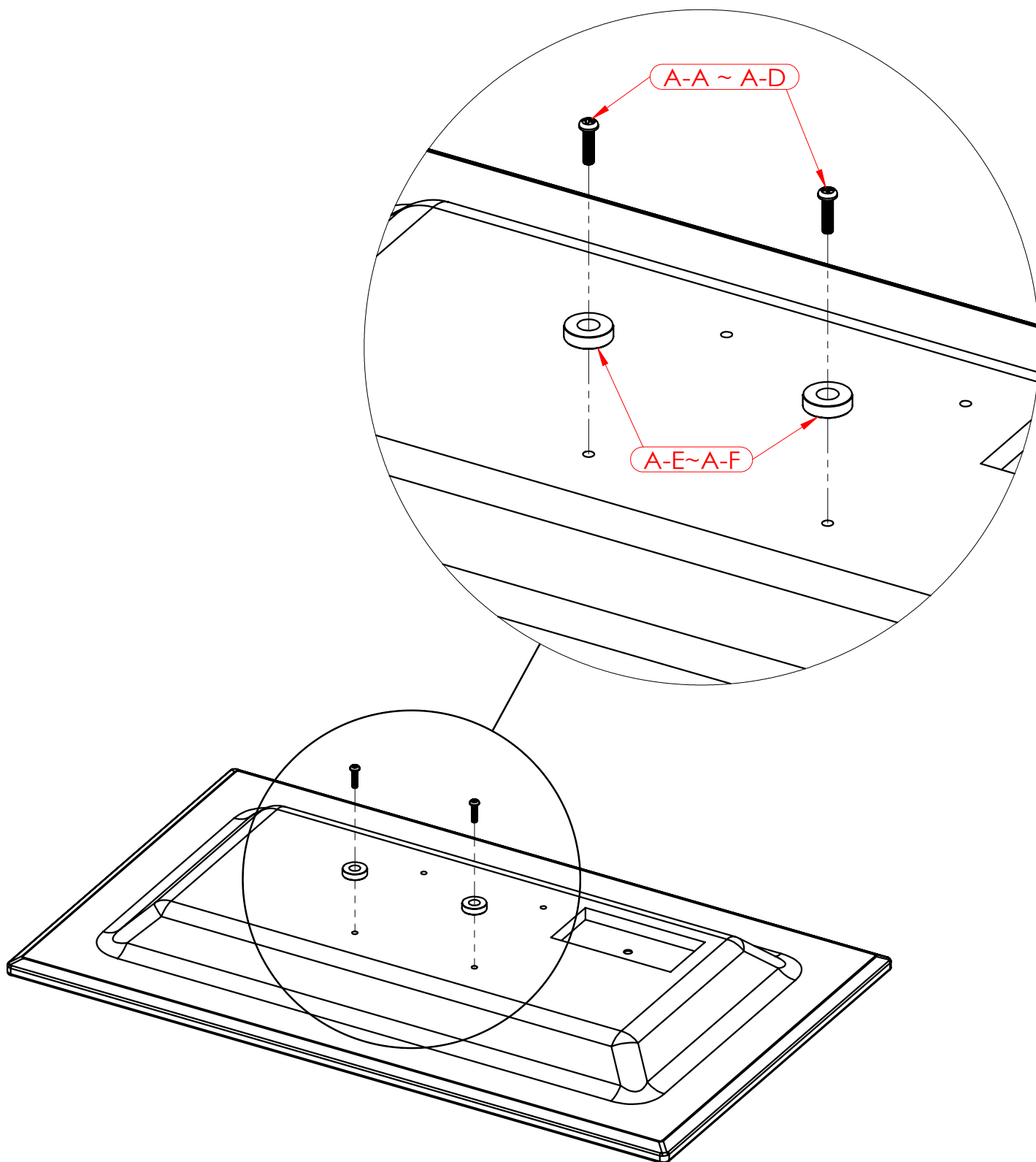
步驟三：將① 手臂套組插入② 底座，使用 B-A 六角扳手鎖緊底座固定螺絲。

Step 3 : After placing ① Arm Set at ② Base,
use B-A hex wrench to tighten the base locking screw.



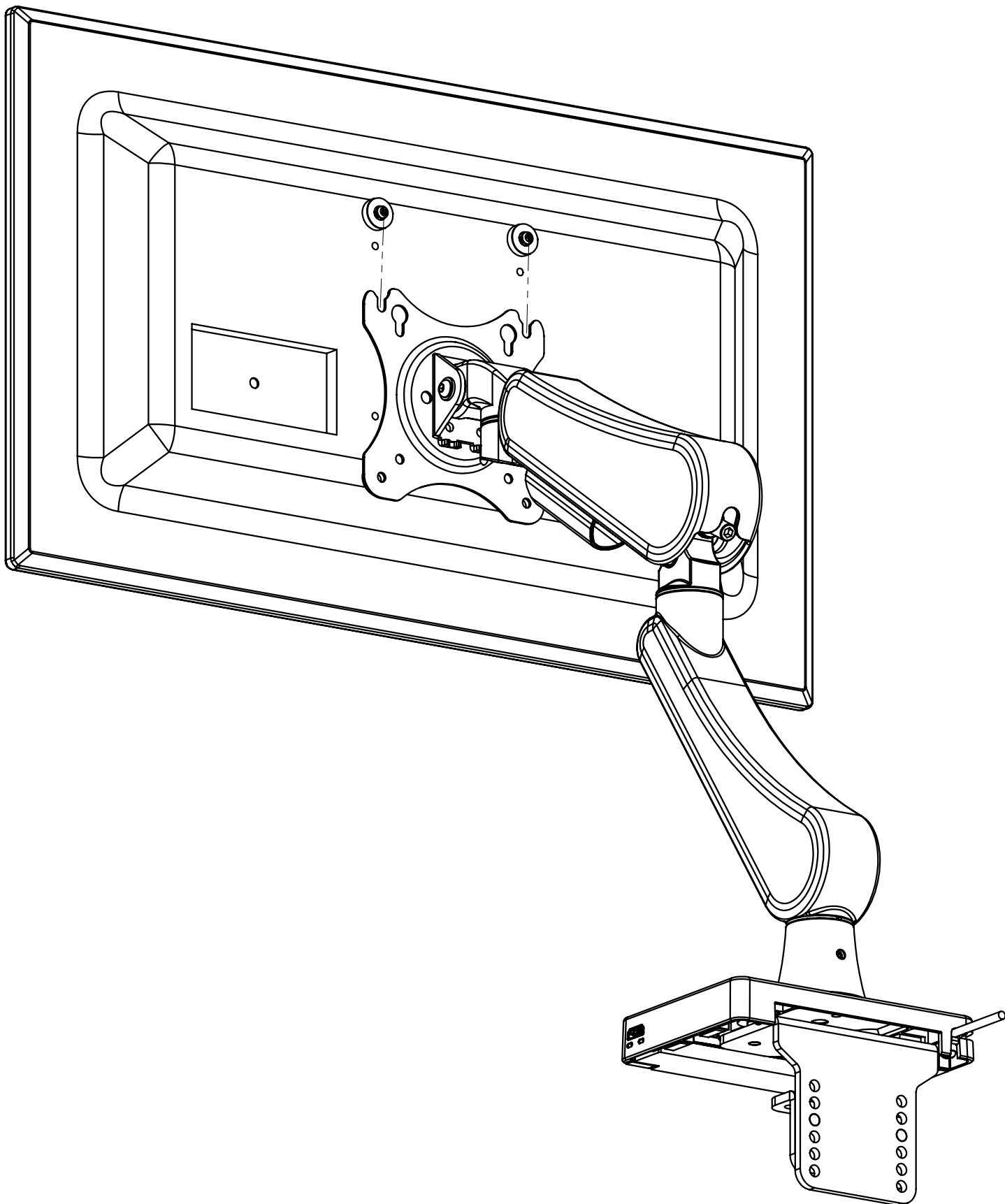
步驟四：依照螢幕需求，從A五金包選用適合的螺絲以及墊片。
使用螺絲起子鎖兩支螺絲到螢幕對應的兩個螺絲孔中。注意留下一段空隙。

Step 4 : Select the correct screws and spacers from Hardware Pack A according to your monitor's specifications.
Using a screwdriver, partially insert two screws into the designated VESA mounting holes on the back of the monitor, leaving a small gap between the screw head and the monitor surface.



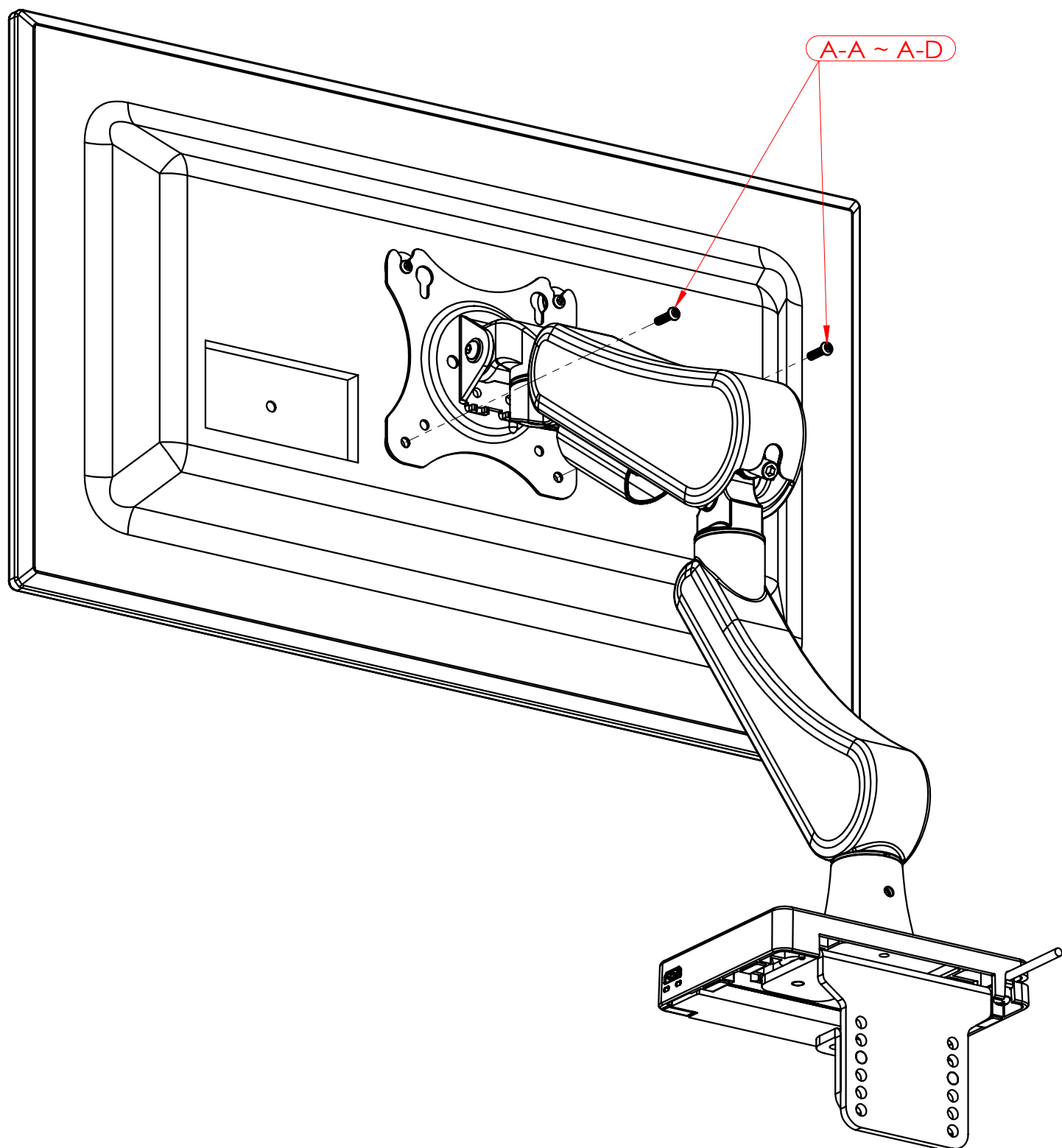
步驟五：將螢幕如圖插入①手臂套組，使用螺絲起子固定螺絲。

Step 5 : Insert monitor into vesa of ①<Arm Set> as shown below and tighten the screw via phillips screwdriver.



步驟六：選用與步驟四相同的螺絲對準下半部的螺絲孔，使用螺絲起子固定螺絲。
若在步驟四使用墊片，請在此使用相同的墊片。

Step 6 : Use the same type of screws as in Step 4, align them with the lower screw holes, and fasten them using a screwdriver.
If spacers were used in Step 4, be sure to use the same spacers here as well.

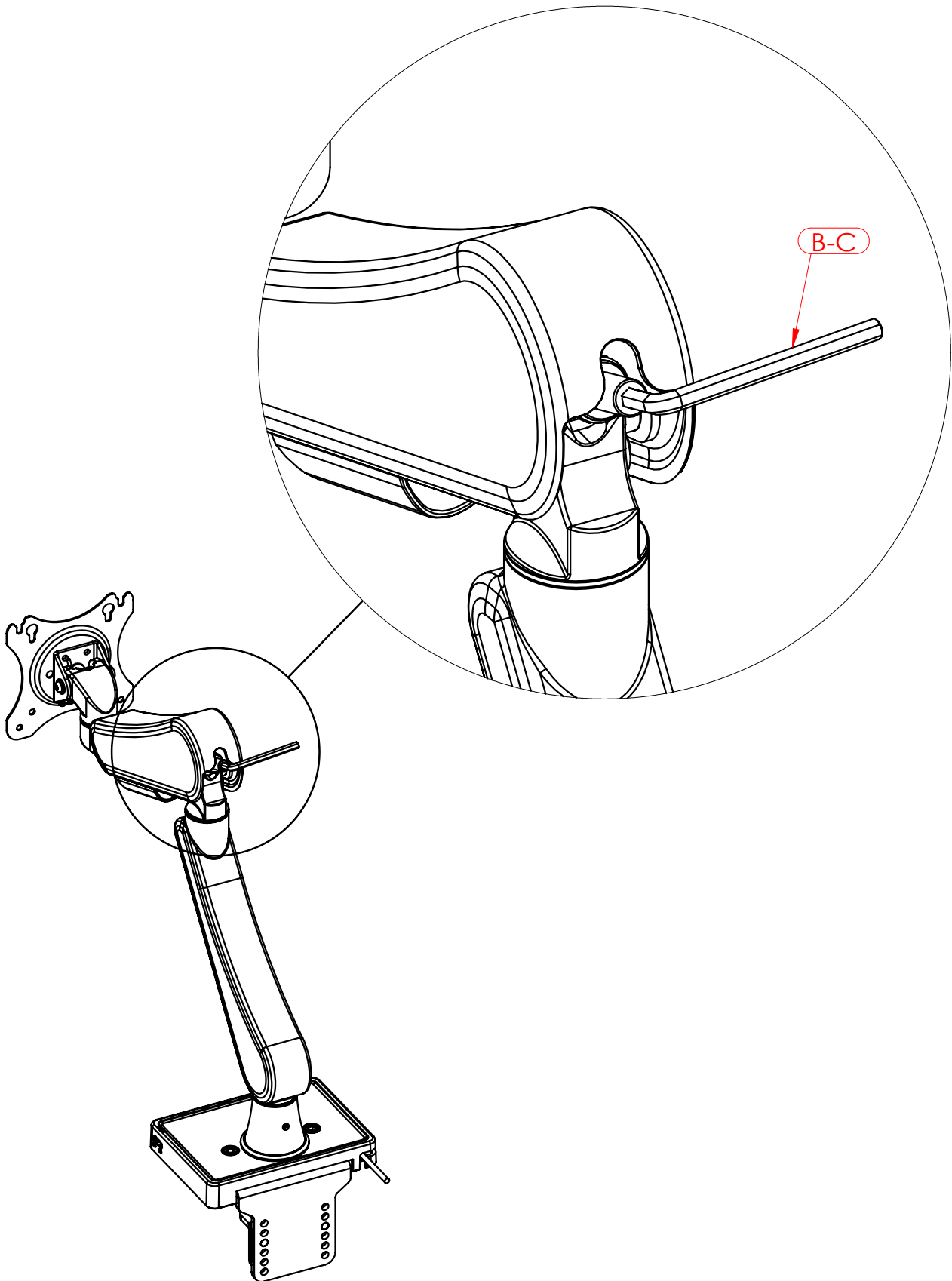


手臂支撐力調整方式：依照圖示，使用B-C扳手調整手臂支撐力。
注意：順時鐘方向為加強支撐力，逆時鐘方向為減輕支撐力。

Arm Tension Adjustment:

Use the (B-C) wrench to adjust the arm tension as shown in the diagram.

Note: Turn clockwise to increase tension; turn counterclockwise to decrease tension.



調整角度：

若需要調整手臂角度，可先使用B-A扳手，放鬆下圖位置的止付螺絲。

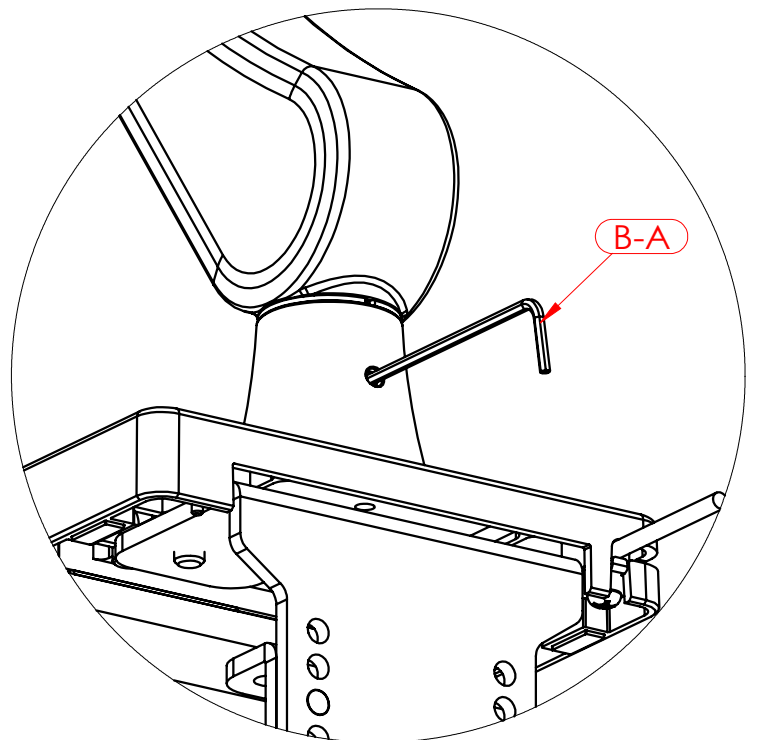
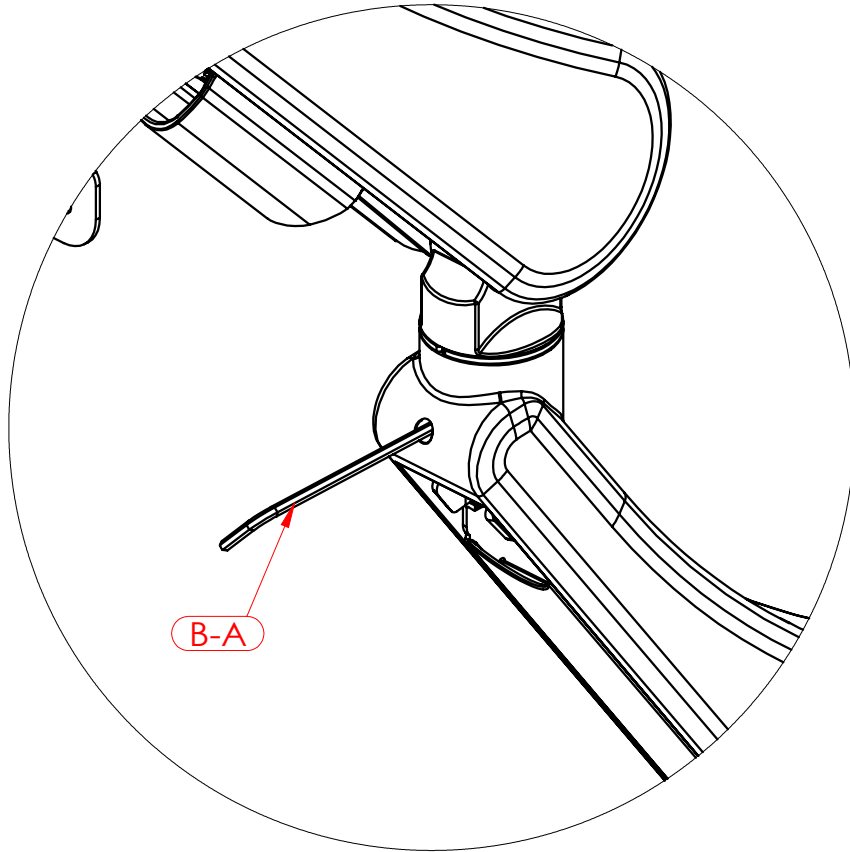
調整到合適角度後再將螺絲鎖緊固定。

Angle Adjustment:

If you need to adjust the angle of the arm,

first use the (B-A) wrench to loosen the set screw at the location shown in the diagram.

After adjusting the arm to the desired angle, re-tighten the screw to secure it in place.



加固墊塊調整：

如果使用者認為手臂過於搖晃或無法自由旋轉，可以調整以下位置的加固墊塊鬆緊度。

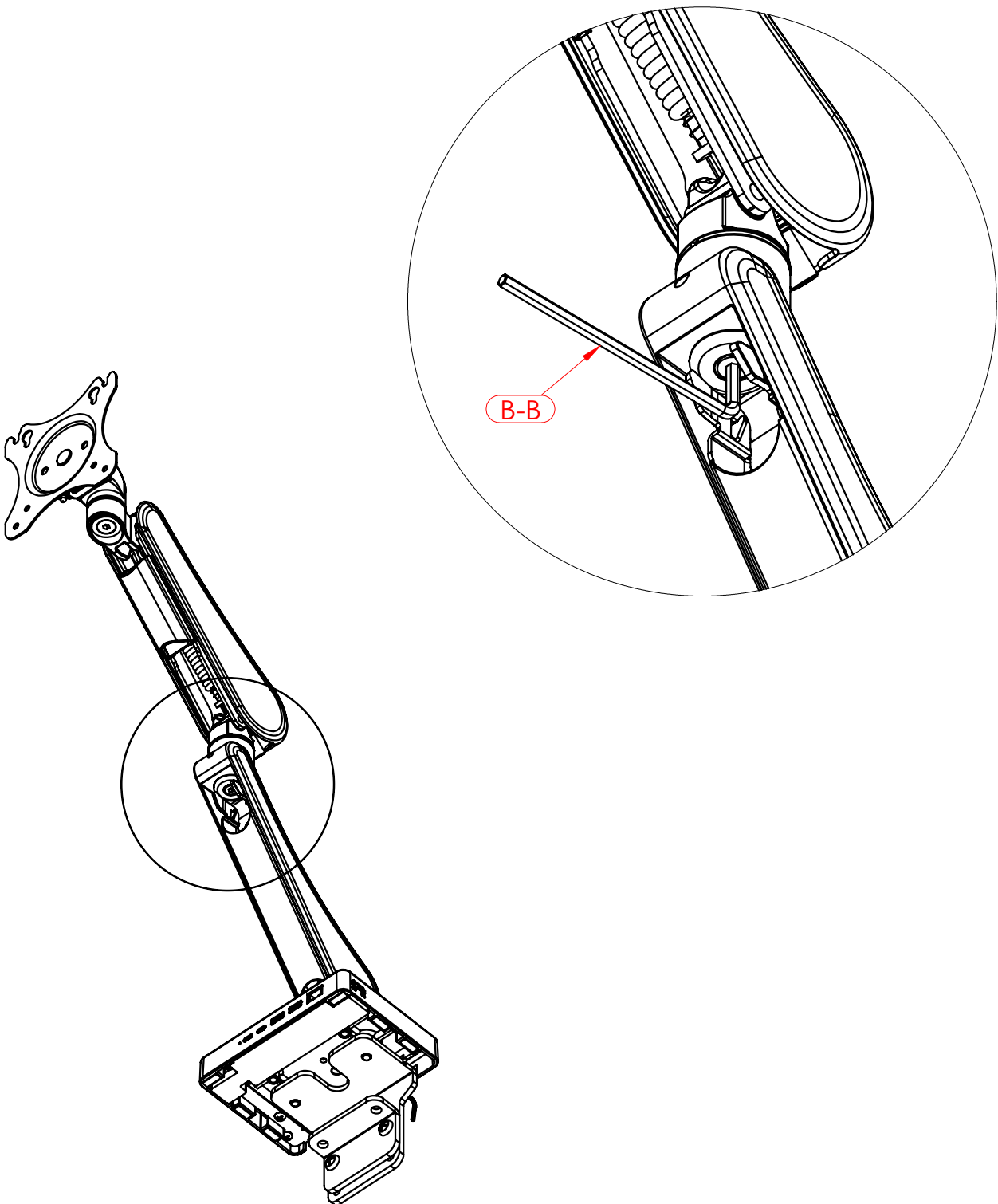
(使用 (B-B) 扳手)

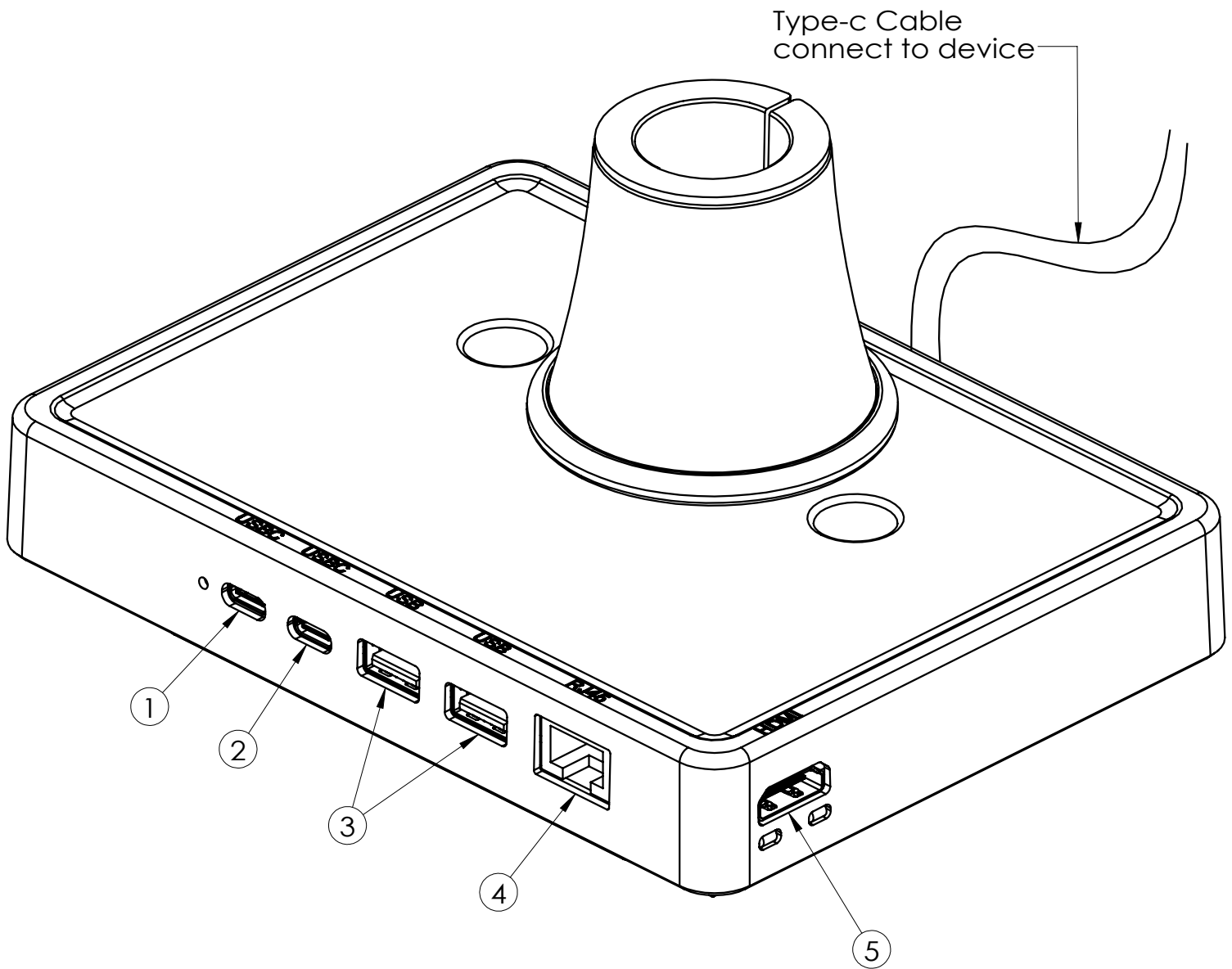
Reinforcement Block Adjustment:

If the user finds the arm too wobbly or difficult to rotate freely,

the tension of the reinforcement block at the location shown can be adjusted.

Use the (B-B) wrench for this adjustment.





USB-C HUB接口功能介紹

- ① USB-C 電源輸入：支援100W PD輸入，接上電源供應器後可為連接HUB的裝置充電。
- ② USB-C 資料傳輸接口
- ③ USB-A 3.0 資料傳輸接口
- ④ RJ45 乙太網路接口，最高1000Mbps
- ⑤ HDMI 影像輸出接口，支援4K@60Hz輸出

HUB Port Function Overview

- ① USB-C Power Input: Connect a 100W PD charger (not included) to enable pass-through charging for your device.
- ② USB-C Data Port: For high-speed data transfer
- ③ USB-A 3.0 Data Port: For data transmission via USB-A interface
- ④ RJ45 Ethernet Port: Supports up to 1000 Mbps wired network connection
- ⑤ HDMI Video Output Port: Supports 4K@60Hz video output

